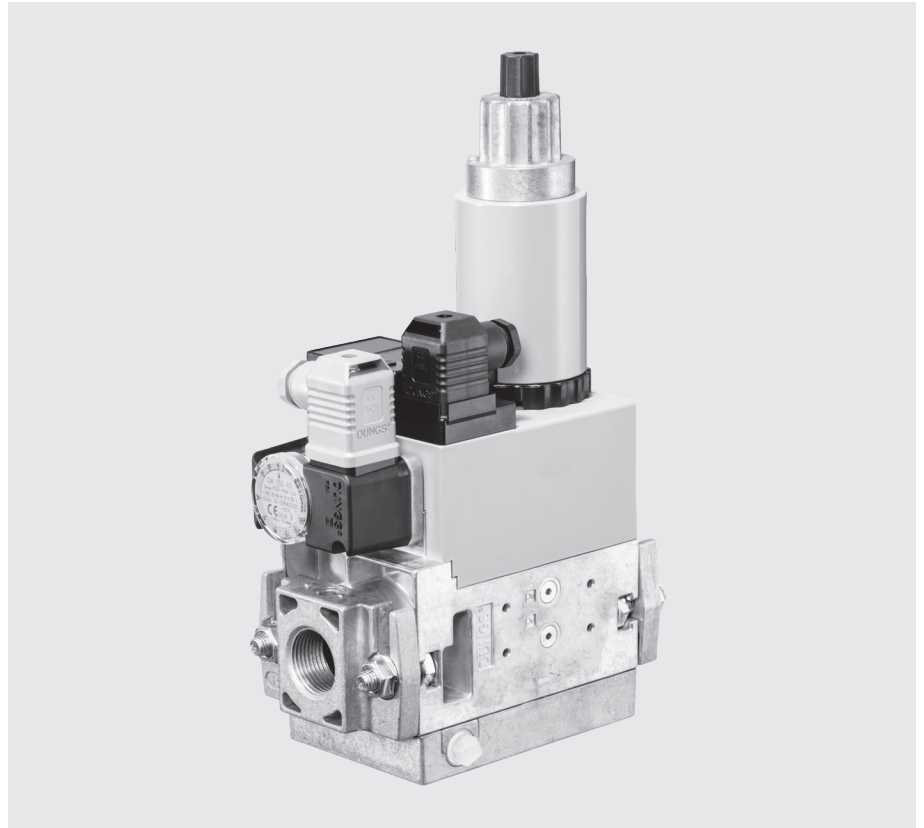


**GasMultiBloc®**  
 Combined regulator and  
 safety shut-off valves  
 Two-stage function

**MB-ZRD(LE) 405 - 412 B01**

7.24



**Technical description**

The DUNGS GasMultiBloc® integrates filter, regulator, valves and pressure switches in one compact fitting.

- Dirt trap: Fine-mesh sieve
- One regulator and two main valves: B01
- One one-stage valve and one two-stage valve
- One valve is fast opening, one valve is slow or fast opening
- Solenoid valves up to 360 mbar (36 kPa) as per DIN EN 161 Class A Group 2
- Sensitive setting of output pressure by proportional regulator as per DIN EN 88 Class A Group 2
- High flow rates with low pressure drop
- DC solenoid drive interference degree N
- Main volume restrictor and partial volume restrictor at valve V2
- Hydraulic opening delay
- Flange connections with pipe threads as per ISO 7/1
- Simple mounting, compact, light-weight

The modular system permits individual solutions by using external ignition gas tap in connection with separately controlled valves, by adding a valve proving system, mini/maxi pressure switches, pressure limiters, limit switch and closing stroke limiter at valve V2, regulator blocking for liquid gas applications.

**Application**

The modular system permits individual solutions in gas safety and regulator engineering. Suitable for gases of families 1, 2, 3 and other neutral gaseous media.

**Approvals**

EU type testing certificate as per:

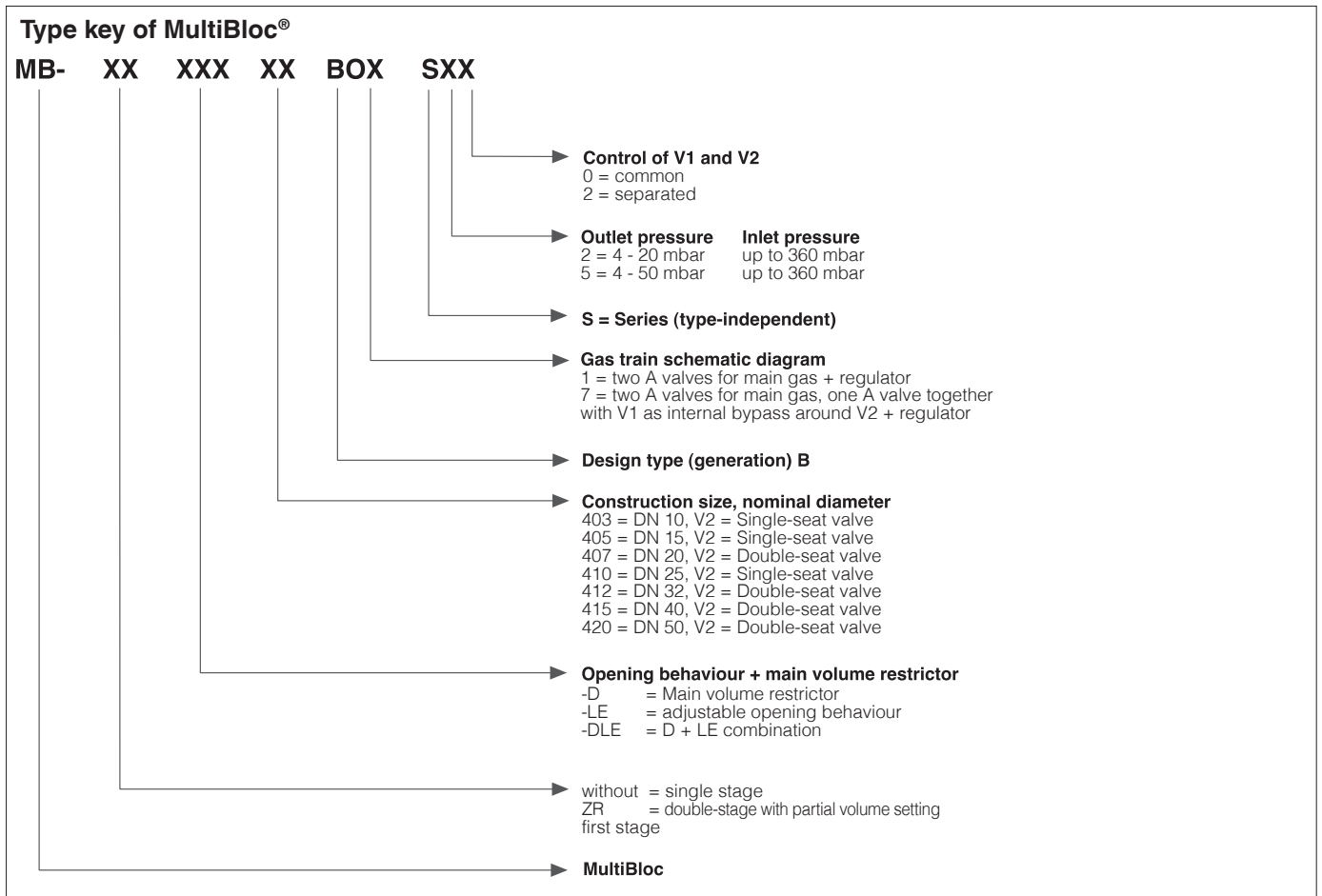
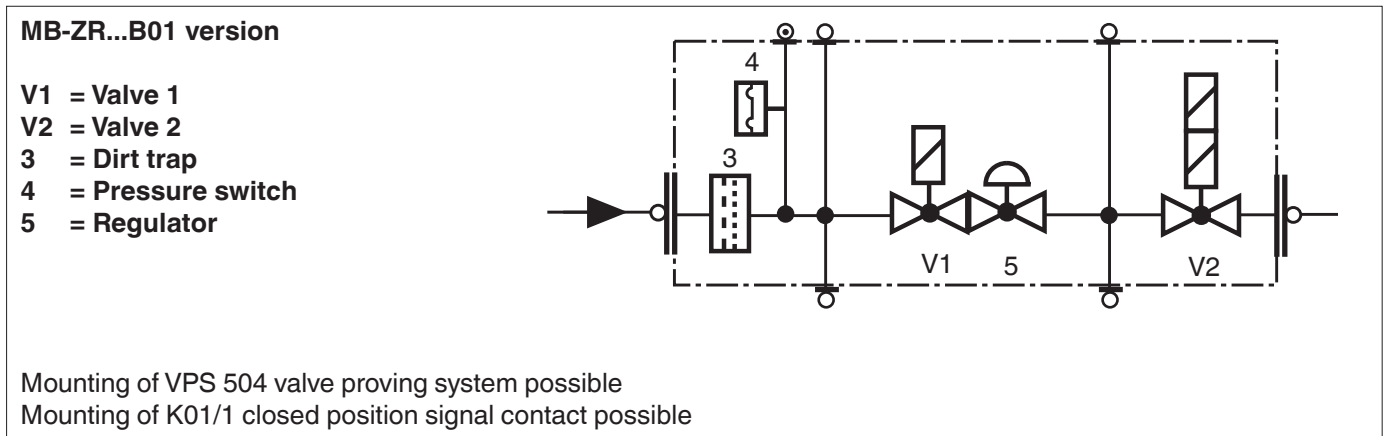
- EU-Gas Appliances Regulation
- EU-Pressure Equipment Directive

Approvals in other important gas consuming countries.

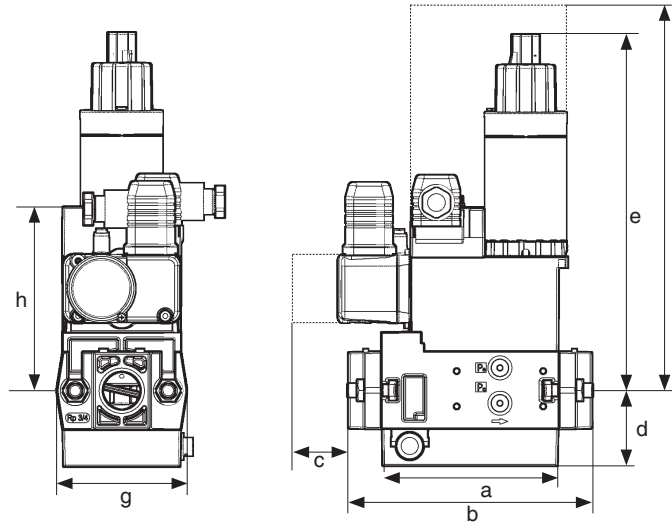
## Specifications

Nominal diameters Flange with pipe threads as per ISO 7/1 (DIN 2999)	MB-ZR...405/407 B01 Rp 1/2, 3/4 and their combinations	MB-ZR...410/412 B01 Rp 3/4, 1, 1 1/4 and their combinations																
<b>Max. operating pressure</b>	<b>360 mbar (36 kPa)</b>																	
<b>Output pressure ranges</b>	<b>MB-... S20/S22 p<sub>a</sub>: 4 mbar (0.4 kPa) to 20 mbar (2 kPa)</b> <b>MB-... S50/S52 p<sub>a</sub>: 4 mbar (0.4 kPa) to 50 mbar (5 kPa)</b>																	
Media	Gases of families 1, 2, 3 and other neutral gaseous media																	
Ambient temperature	-15 °C to +70 °C (Do not operate MB-D below 0 °C in liquid gas systems. Only suitable for gaseous liquid gas, liquid hydrocarbons destroy sealing materials.)																	
Dirt trap	Fine-mesh sieve. Replacement only possible by dismantling the fitting.																	
Pressure switches	Types GW...A5, ÜB...A2 / NB...A2 to DIN EN 1854 may be attached. For further information, refer to Datasheets 5.02 and 5.07 "Pressure Switches for DUNGS Multiple Actuators"																	
Pressure regulator	Pressure regulator compensated for residual pressure, leakproof seal when switched off by means of valve V1 as per DIN EN 88 Class A. Setpoint spring permanently installed (no spring exchange possible). A vent line above roof is not required. Internal pulse tap provided.																	
Solenoid valve V1	Valve as per DIN EN 161 Class A Group 2, fast closing, fast opening																	
Solenoid valve V2	Valve as per DIN EN 161 Class A Group 2, fast closing																	
	<table border="1"> <thead> <tr> <th></th> <th>Valve V2 design</th> <th>Partial volume restrictor</th> <th>Main volume restrictor</th> </tr> </thead> <tbody> <tr> <td>MB-ZRD</td> <td>fast opening</td> <td>with</td> <td>with</td> </tr> <tr> <td>MB-ZRDLE</td> <td>slow opening</td> <td>with</td> <td>with</td> </tr> <tr> <td>MB-ZRLE</td> <td>slow opening</td> <td>with</td> <td>without</td> </tr> </tbody> </table>			Valve V2 design	Partial volume restrictor	Main volume restrictor	MB-ZRD	fast opening	with	with	MB-ZRDLE	slow opening	with	with	MB-ZRLE	slow opening	with	without
	Valve V2 design	Partial volume restrictor	Main volume restrictor															
MB-ZRD	fast opening	with	with															
MB-ZRDLE	slow opening	with	with															
MB-ZRLE	slow opening	with	without															
Measuring / Ignition gas connection	For G 1/8 as per DIN ISO 228, refer to Pressure taps on page 4																	
Burner pressure monitor p <sub>Br</sub>	Connection downstream of valve V2, pressure switch A2 mountable on adapter laterally																	
Voltage / Frequency	50-60 Hz 220-230 V AC -15 % +10 %																	
Electrical connection	Plug connection as per DIN EN 175301-803 for valves and pressure switches																	
Rating / Power consumption Switch-on duration Degree of protection Radio interference	Refer on page 4 100 % IP 54 as per IEC 529 (EN 60529) Interference degree N																	
Materials of gas conveying parts	Housing Diaphragms, seals Solenoid drive	aluminium die casting NBR basis, Silopren (silicone rubber) steel, brass, aluminium																
Installation position	Solenoid vertically upright or lying horizontally as well as its intermediate positions.																	
Closed position signal contact	Closed position signal contact, type K01/1 (DIN-tested), mountable on V2																	

Equipment variants GasMultiBloc®...B01 Two-stage function	405 B01	407 B01	410 B01	412 B01	
MB-ZRD	•	•	•	•	
MB-ZRDLE	•	•	•	•	
MB-ZRLE	•	•	•	•	
Microfilter with sieve	•	•	•	•	
Gas pressure switch downstream of filter	•	•	•	•	
downstream of valve V2 on adapter laterally	•	•	•	•	
Pressure regulator	•	•	•	•	
Valve V1, double seat	•	•	•	•	
Valve V2, single seat	•	–	•	–	
Valve V2, double seat	–	•	–	•	
Valves opening together	•	•	•	•	S 20, S 50
Valves opening separately	•	•	•	•	S 22, S 52
Flange Rp 1/2	•	•	–	–	• = possible (•) = on request - = not possible
Rp 3/4	•	•	•	•	
Rp 1	–	–	•	•	
Rp 1 1/4	–	–	•	•	



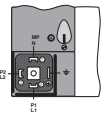
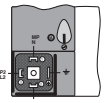
## Dimensions [mm]



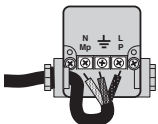
c = Space requirement for cover of pressure switch  
f = Space requirement for exchanging the solenoid

Typ	Rp	Opening time	Dimensions [mm]								Weight [kg]
			a	b	c	d	e	f	g	h	
MB-ZRD 405 B.../407	Rp 1/2	< 1 s	110	151	40	46	180	250	74	115	3,3
MB-ZRDLE 405 B.../407	Rp 3/4	< 20 s	110	151	40	46	220	250	74	115	3,4
MB-ZRD 410 B.../412	Rp 1	< 1 s	140	185	40	55	220	300	90	135	6,3
MB-ZRDLE 410 B.../412	Rp 1 1/4	< 20 s	140	185	40	55	260	300	90	135	6,4

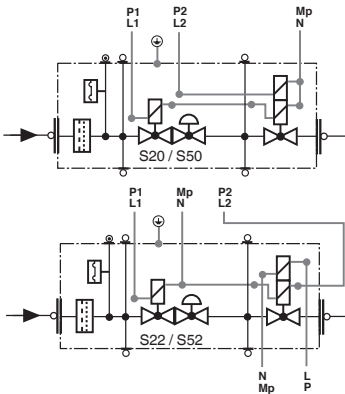
## Electrical connection



Ventile V1, V2  
1. Stufe  
1st stage  
1 ère allure  
1. stadio



Ventil V2  
2. Stufe  
2 nd stage  
2 ème allure  
2. stadio

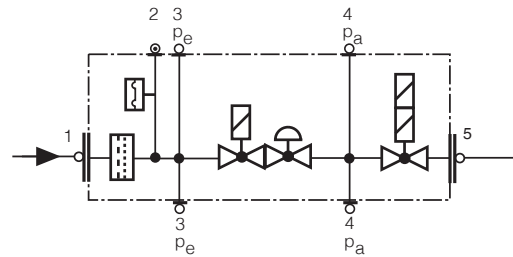
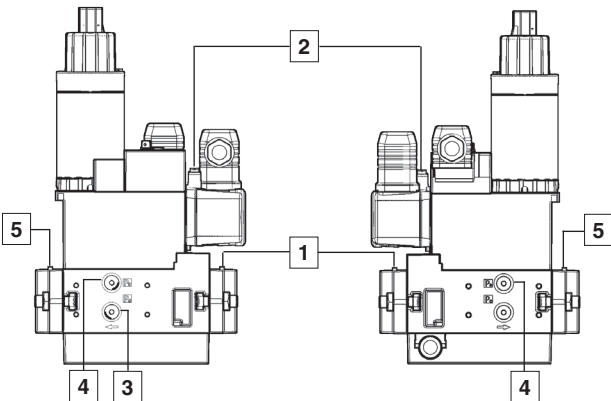


## Rating/power consumption

[VA] ~(AC) 230 V; +20 °C:

MB 405/407 S 20	65
MB 405/407 S 50	65
MB 405/407 S 22	70
MB 405/407 S 52	70
MB 410/412 S 20	80
MB 410/412 S 50	80
MB 410/412 S 22	120
MB 410/412 S 52	120

## Pressure taps



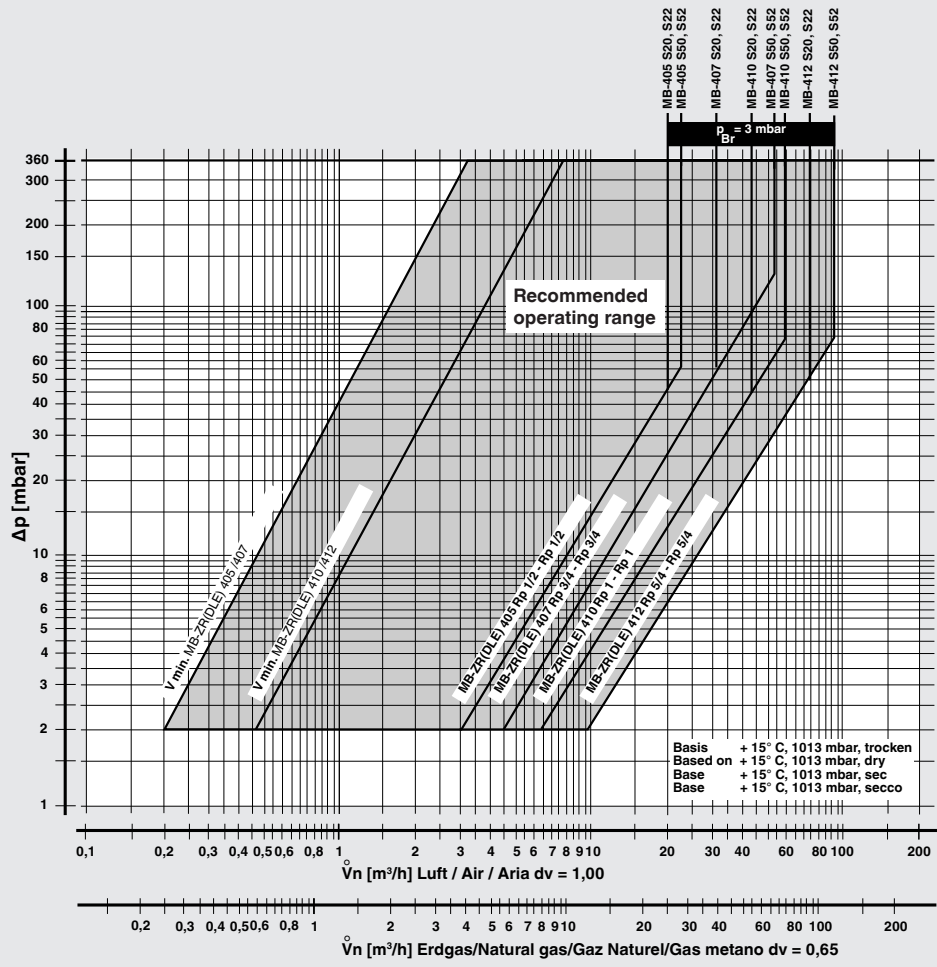
1, 3, 4, 5 G 1/8 screw plug  
2 Test nipple

**GasMultiBloc®**  
**Combined regulator and**  
**safety shut-off valves**  
**Two-stage function**

**MB-ZRD(LE) 405 - 412 B01**



**Volumetric flow pressure loss characteristics in regulated state with fine-mesh sieve**



Basis + 15° C, 1013 mbar, trocken  
 Based on + 15° C, 1013 mbar, dry  
 Base + 15° C, 1013 mbar, sec  
 Base + 15° C, 1013 mbar, secco

$f = \sqrt{\frac{\text{Dichte Luft}}{\text{Dichte des verwendeten Gases}}}$   
 Spec. weight air / poids spécifique de l'air / peso specifico aria  
 Dichte des verwendeten Gases / Spec. weight of gas used / poids spécifique du gaz utilisé / peso specifico del gas utilizzato

Gas type	Density [kg/m³]	dv	f
Nat. gas	0.81	0.65	1.24
City gas	0.58	0.47	1.46
LPG	2.08	1.67	0.77
Air	1.24	1.00	1.00

$\dot{V}_{\text{verwendetes Gas/gas used/gaz utilisé/gas utilizzato}} = \dot{V}_{\text{Luft/air/air/aria}} \times f$

We reserve the right to make any changes in the interest of technical progress.

**WWW.SMARTFLAM.BY**  
  
**SmartFlam**  
 Импортёр  
 в Республику Беларусь  
**8 (029) 11 915 11 INFO@SMARTFLAM.BY**

**Head Offices and Factory**  
**Karl Dungs GmbH & Co. KG**  
**Karl-Dungs-Platz 1**  
**73660 Urbach, Germany**  
**Telephone +49 7181-804-0**  
**Fax +49 181-804-166**

**Postal address**  
**Karl Dungs GmbH & Co. KG**  
**Postfach 12 29**  
**D-73602 Schorndorf, Germany**  
**e-mail info@dungs.com**  
**Internet www.dungs.com**