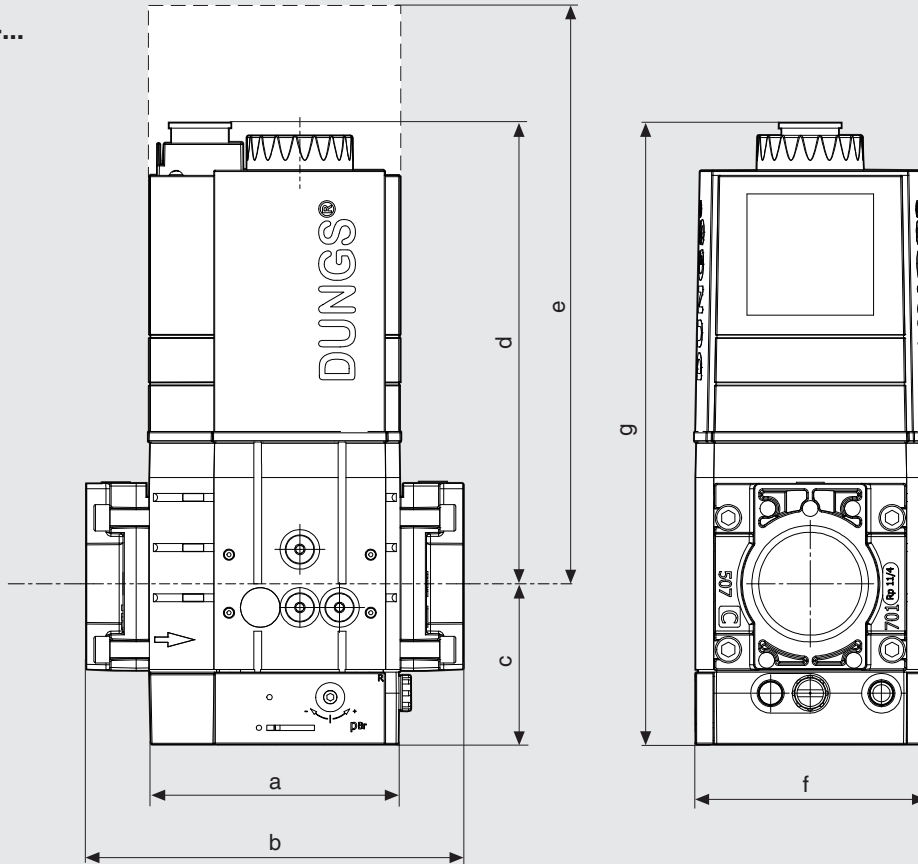
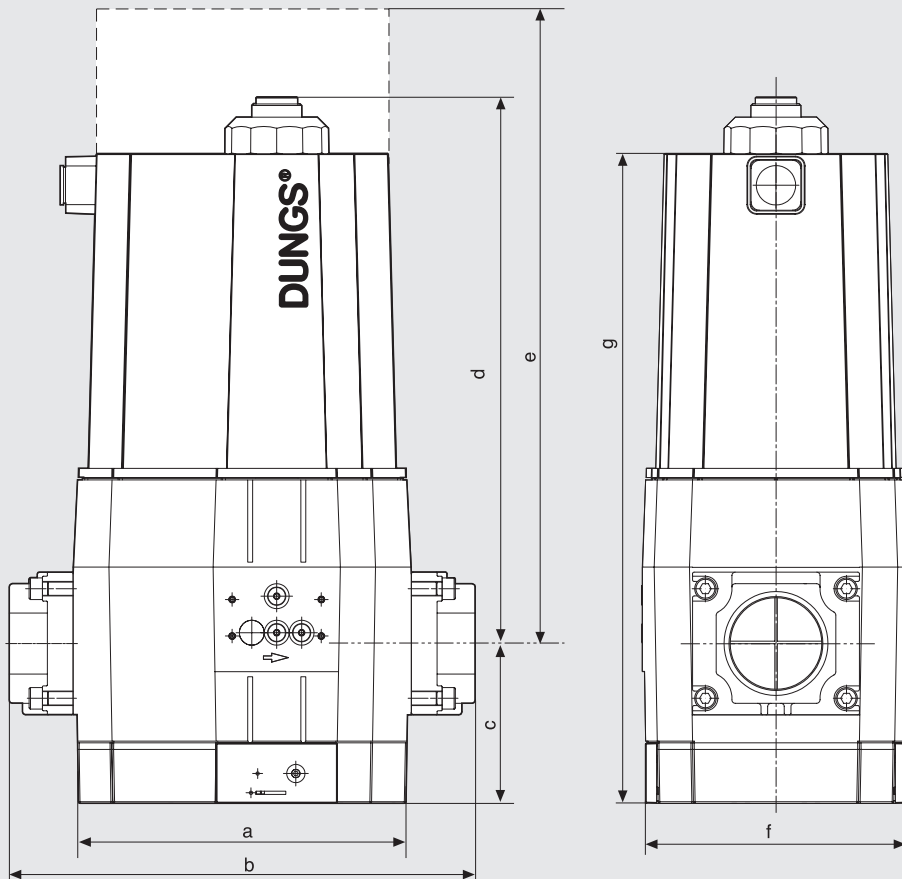


Mounting dimensions [mm]

MBC-300/700-...



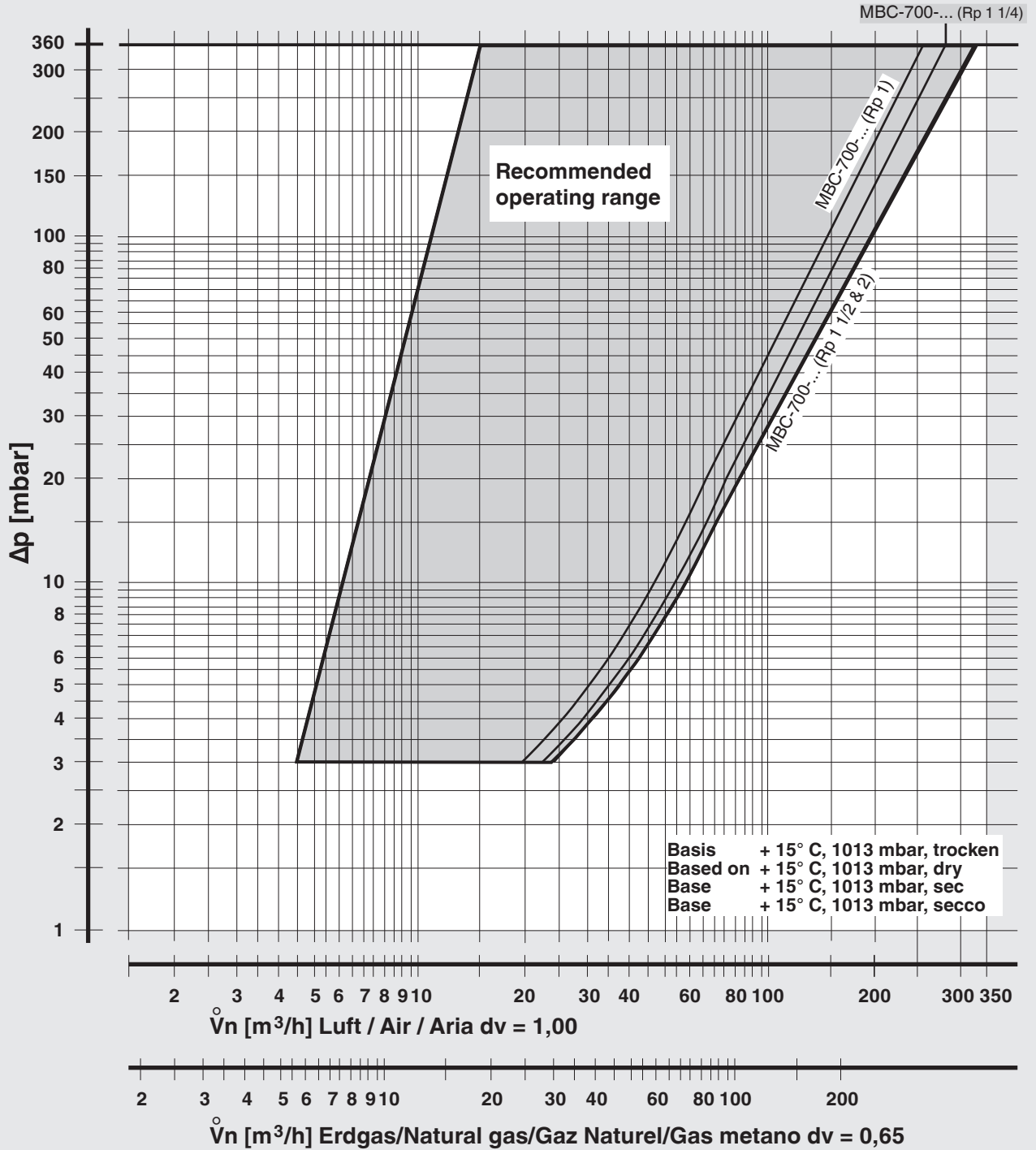
MBC-1200-...



e = space requirement for solenoid replacement

Volume flow pressure difference characteristics in steady state with microfilter.

MBC-700-...



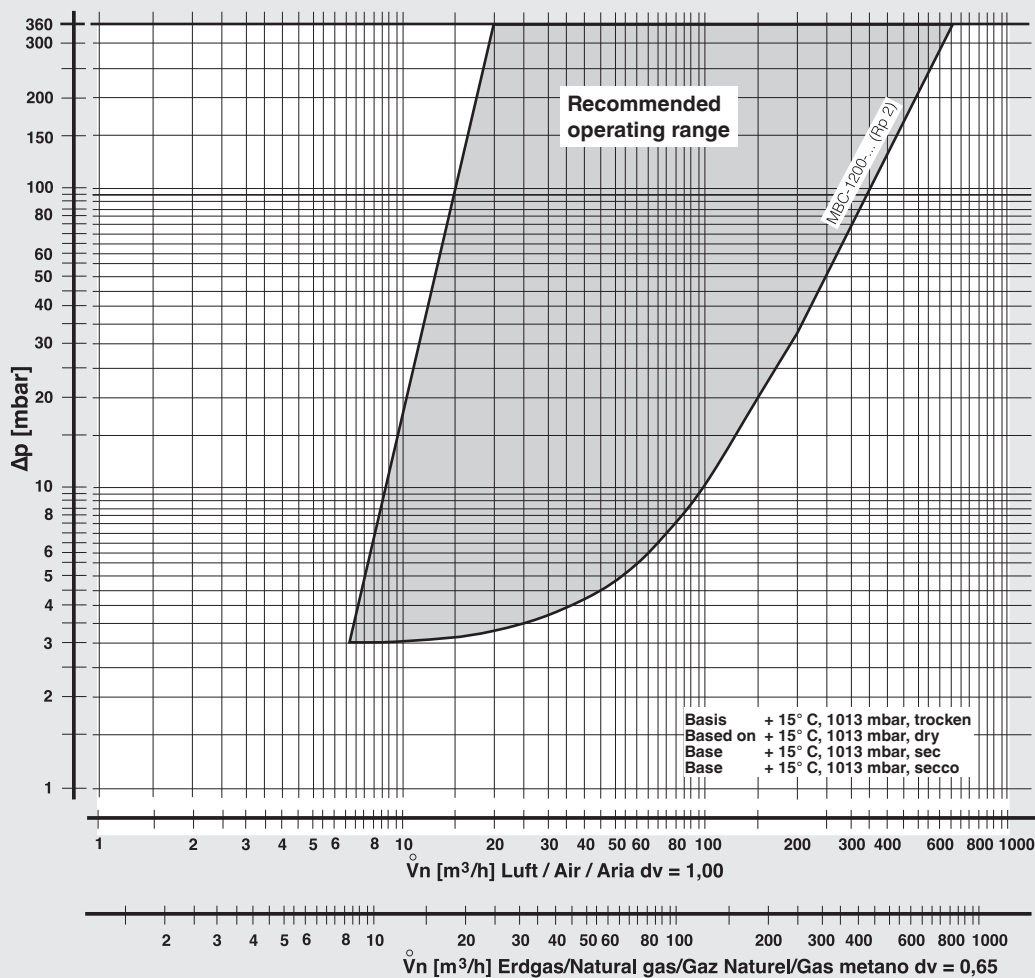
GasMultiBloc®
Combined servo pressure regulator
and safety shut-off valves

MBC-300-SE
 MBC-700-SE
 MBC-1200-SE
 MBC-300-N
 MBC-700-N



Volume flow pressure difference characteristics in steady state with microfilter.

MBC-1200-...



$$f = \sqrt{\frac{\text{Air density}}{\text{Density of gas used}}}$$

$$\dot{V}_{\text{gas used}} = \dot{V}_{\text{air}} \times f$$

Gas type	Density [kg/m³]	dv	f
Natural gas	0.81	0.65	1.24
Town gas	0.58	0.47	1.46
Liquid gas	2.08	1.67	0.77
Air	1.24	1.00	1.00

We reserve the right to make any changes in the interests of technical progress.